

THIS DRAWING IS UNPUBLISHED.

RELEASED FOR PUBLICATION

ALL RIGHTS RESERVED.

© COPYRIGHT - By -

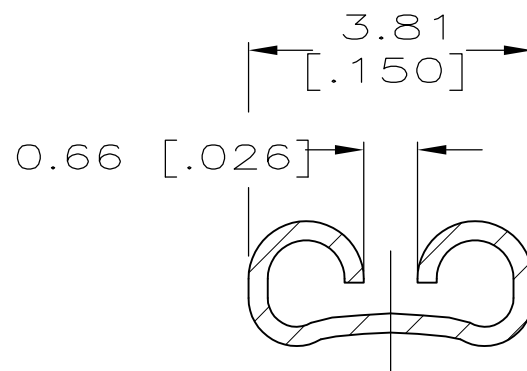
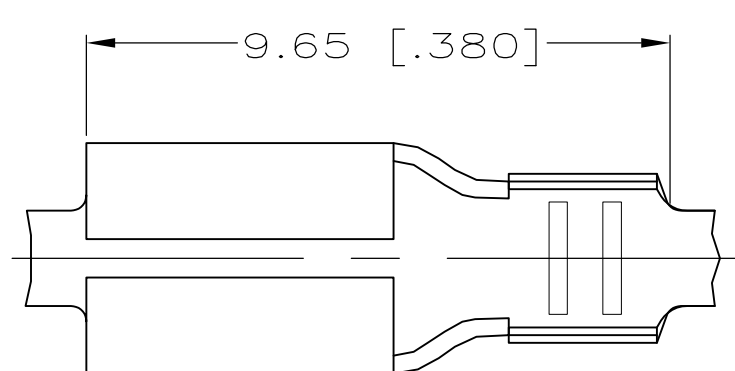
LOC  
AF

DIST  
50

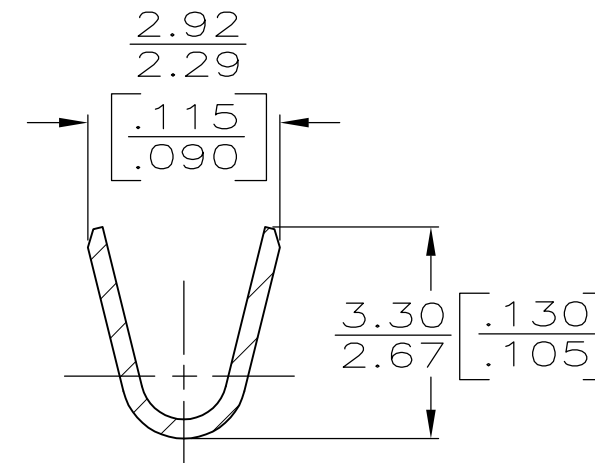
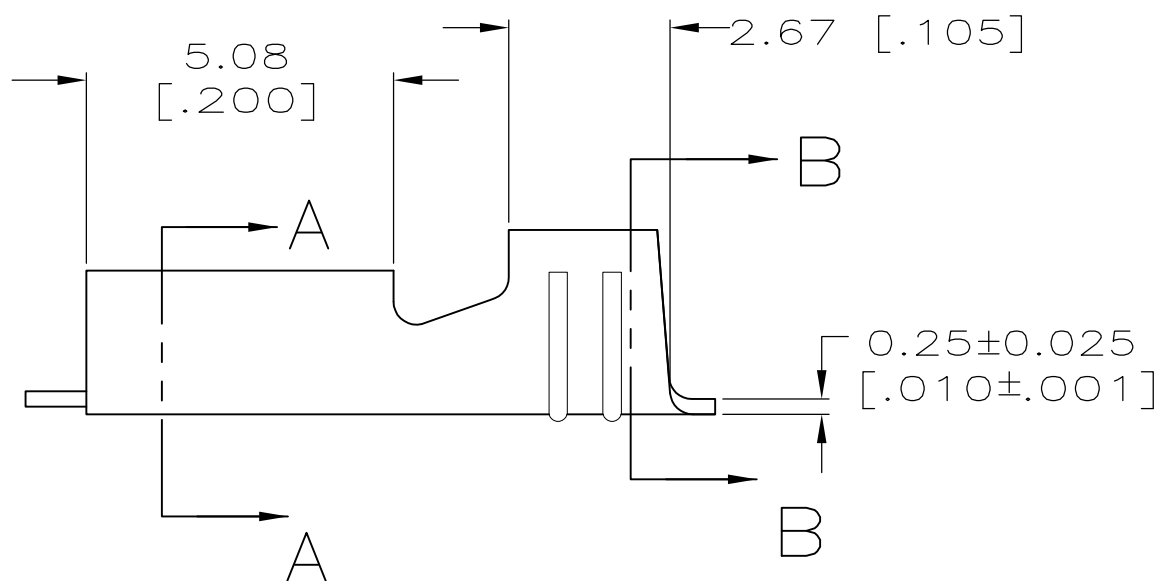
REVISIONS

P	LTR	DESCRIPTION	DATE	DWN	APVD
G		REVISED PER ECR-12-013459	27NOV2012	KH	PD

- 1 CONTINUOUS STRIP ON REELS
- △ 2 TIN OVER COPPER



SECTION A-A  
SCALE 10:1



SECTION B-B  
SCALE 10:1

△ 2 PRE-TIN	#20-#18 AWG	0.51 [.020]	62850-2 62850-1
FINISH	WIRE SIZE	MATING TAB THK ±.001	PART NO

THIS DRAWING IS A CONTROLLED DOCUMENT.		DWN JR RUTH 2/2/94	<b>STE</b> TE Connectivity															
DIMENSIONS: mm [INCHES]		CHK MS FEHER 2/2/94																
TOLERANCES UNLESS OTHERWISE SPECIFIED:		APVD P DESANTIS 2/2/94	NAME RECEPTACLE, FASTON,™ 2.79 [.110] SERIES															
<table border="0"> <tr><td>0 PLC</td><td>± -</td></tr> <tr><td>1 PLC</td><td>± -</td></tr> <tr><td>2 PLC</td><td>± 0.38 [.015]</td></tr> <tr><td>3 PLC</td><td>± -</td></tr> <tr><td>4 PLC</td><td>± -</td></tr> <tr><td>ANGLES</td><td>± -</td></tr> </table>		0 PLC	± -	1 PLC	± -	2 PLC	± 0.38 [.015]	3 PLC	± -	4 PLC	± -	ANGLES	± -	PRODUCT SPEC -	SIZE A3	CAGE CODE 00779	DRAWING NO C-62850	RESTRICTED TO -
0 PLC	± -																	
1 PLC	± -																	
2 PLC	± 0.38 [.015]																	
3 PLC	± -																	
4 PLC	± -																	
ANGLES	± -																	
MATERIAL BRASS	FINISH SEE TABLE	APPLICATION SPEC -	WEIGHT -	CUSTOMER DRAWING		SCALE 8:1	SHEET 1 OF 1	REV G										